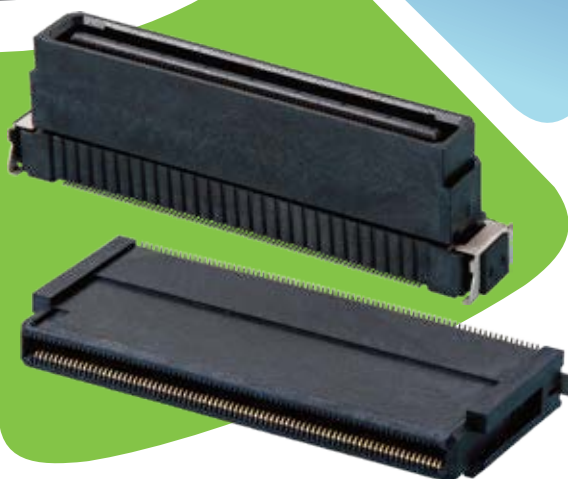
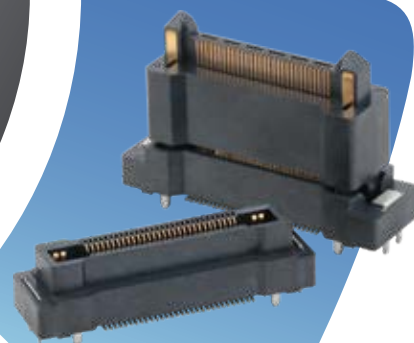




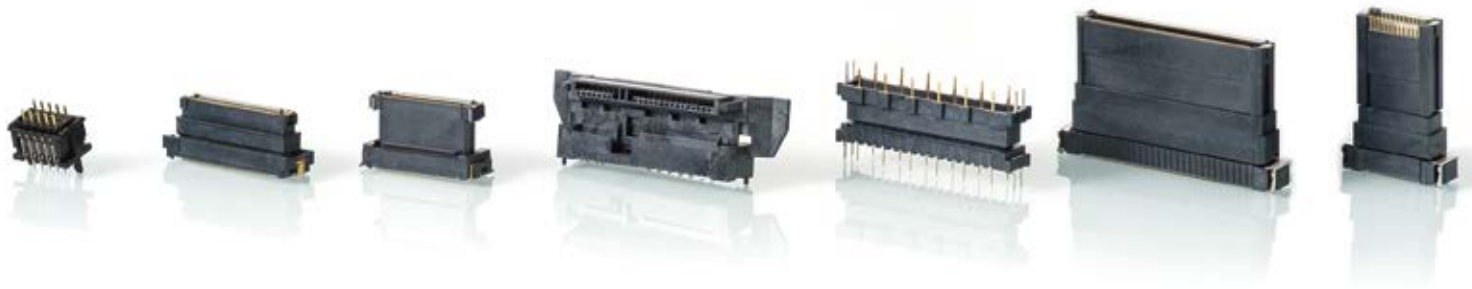
Floating Connectors

X, Y, Z AXES

Spring-Like



Greenconn



CONTENT

CHARACTERISTICS	1
SPECIFICATIONS	2
Floating S-Parameters	3

0.50mm

GBAC229 SERIES	4
CBAC229 SERIES	5
GGAC201 SERIES	6
CGAC201 SERIES	7-9
GGAC203 SERIES	10-12
CGAC203 SERIES	13-14
CGAD201 SERIES	15

0.635mm

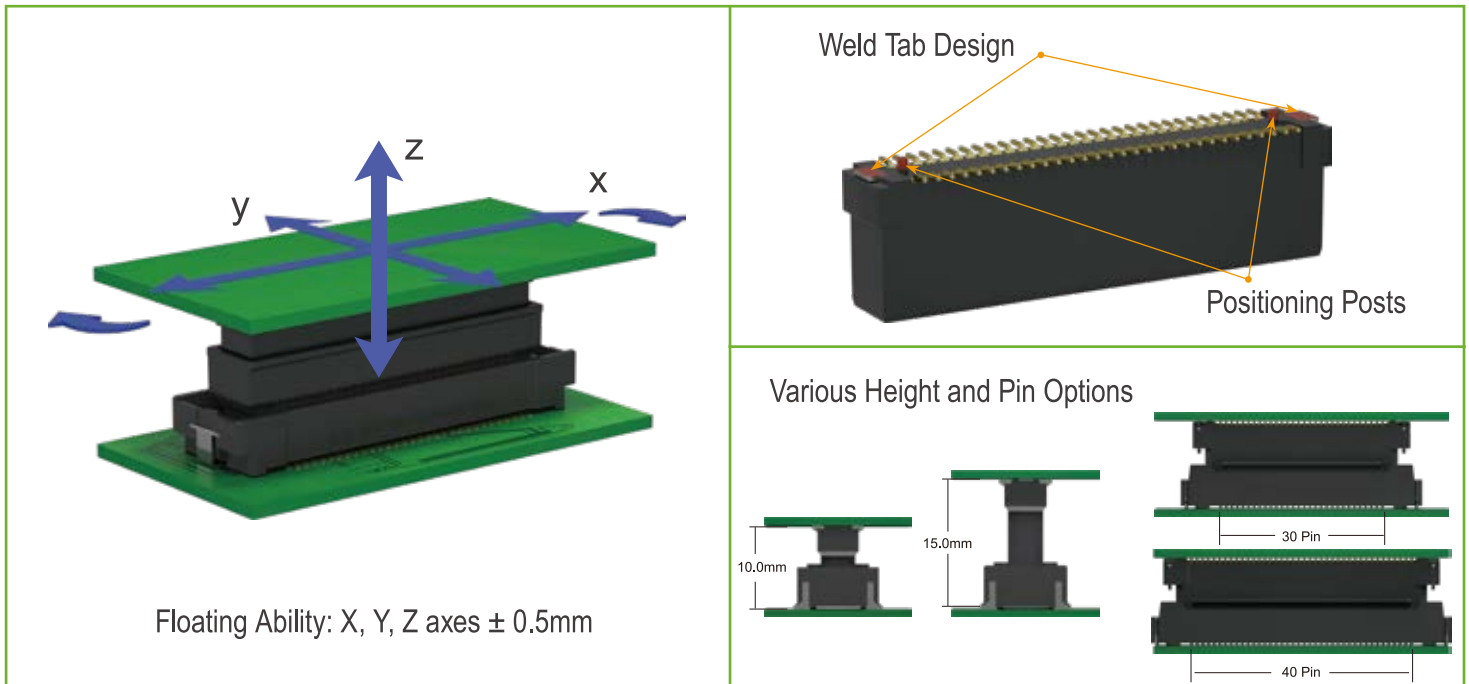
GGZC201 SERIES	16
CGZC201 SERIES	17
CGZC202 SERIES	18
CGZC203 SERIES	19

0.80mm

GGBC201 SERIES	20
CGBC201 SERIES	21-22
GGBC203 SERIES	23
CGBC203 SERIES	24

SELECTION	25-27
-----------	-------

| Characteristics



| Advantages of Floating Connectors:

- Conducive to automated production saving labor costs
- Can effectively solve the problem of misalignment caused by having multiple connectors on one board
- Eliminate stress during assembly and pairing processes creating high reliability
- The floating characteristic helps increase the tolerance of the overall circuit board and reduces the difficulty of production

| Features of Floating Connectors:

- X and Y axes have a certain distance of movement in the axial direction
- Weld tab design to strengthen the welded connection
- Positioning posts to prevent misalignment when soldering onto PCB boards
- Various height and pitch combinations to choose from
- Available in Tape Reel packaging for automation

| Floating Connector Material:

- Insulation Material: LCP
- Contact Material: Copper Alloy
- Electroplating Layer: Bottom Layer-Nickel, Surface Layer-Gold or Tin



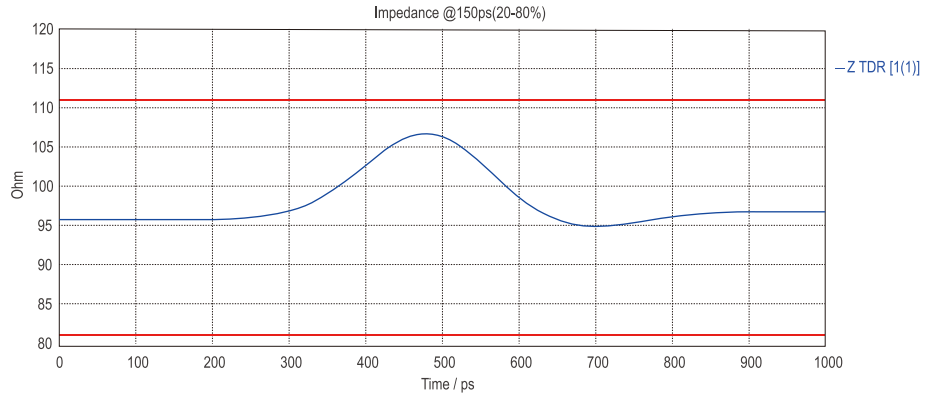
Specifications

Items	Specifications			Conditions
	Pitch: 0.50mm	Pitch: 0.635mm	Pitch: 0.80mm	
Rated Current	0.4A/Pin	0.5A/Pin	0.5A/Pin	
Rated Voltage	According to the actual situation			
Operating Temperature	-40°C to 105°C			
Contact Resistance	≤ 100mΩ			
Insulation Resistance	≥ 500MΩ			
Withstand Voltage	AC 250V			EIA-364-20: 1 min
Current Temperature Rise	ΔT ≤ 30°C			EIA-364-70
Mechanical Vibration	Instant Rupture <1μs			EIA-364-28: Test conditions according to product specification
Mechanical Shock	Instant Rupture <1μs			EIA-364-27: Test conditions according to product specification
Durability	30 mating cycles	100 mating cycles		EIA-364-09
Retention Force	≥ 1N/Pin			
Insertion Force	According to product specification			
Preservative	Impedance ≤ 120mΩ			EIA-364-26: 35±2°C, 5% salt solution, Gold: 48H, Tin: 8H
Temperature and Humidity Control				EIA-364-31: 40±2°C, 90-95% RH, 96H
Thermal Shock				Condition: -40°C to 105°C, Test method according to product specification
Temperature Life (High Temperature)				Condition: -105±2°C, Test method according to product specification
Soldering Heat Resistance	260±5°C			EIA-364-56: 5-15 seconds

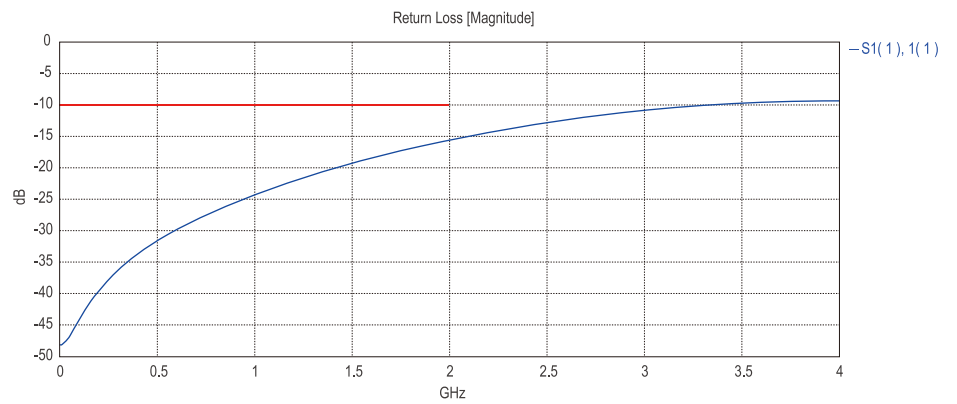


| Floating S-Parameters

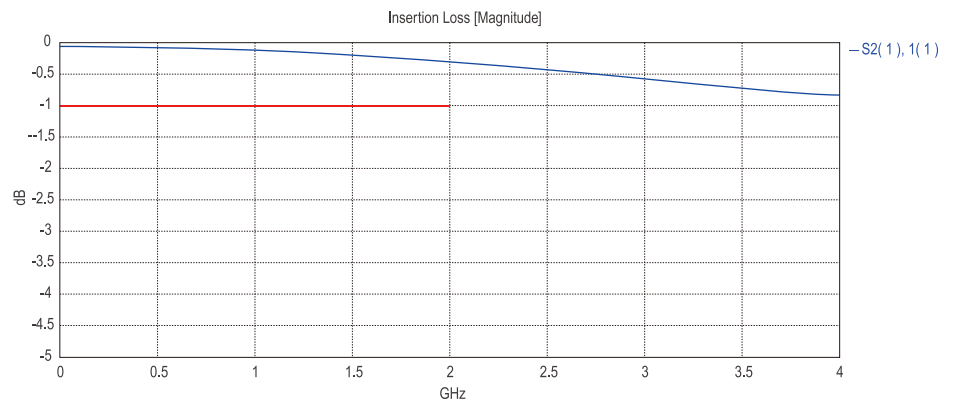
Impedance:
 $100\Omega \pm 15\Omega$ @150ps(20-80%)



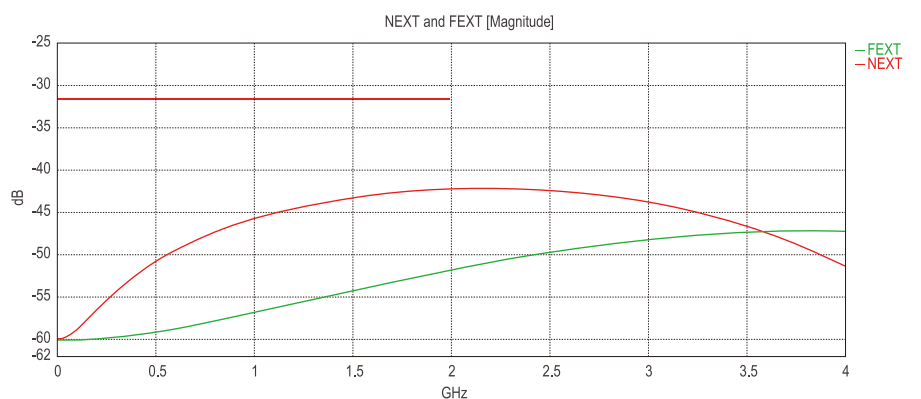
Return Loss:
less than -10dB up to 2GHz



Insertion Loss:
greater than -1dB up to 2GHz



NEXT and FEXT:
less than -32dB up to 2GHz



0.50 mm GBAC229

SERIES

FLOATING SIDE

S.M.T.



PRODUCT SPECIFICATIONS

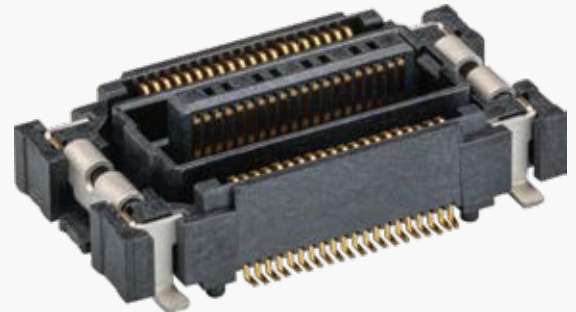
Current Rating : 0.4 Amp / Pin

Contact Resistance : 100 mΩ Max.

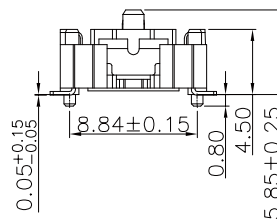
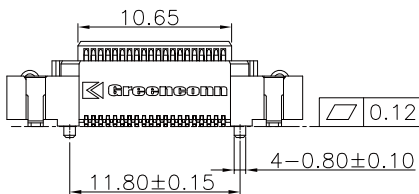
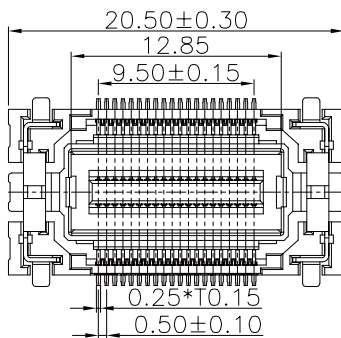
Dielectric Withstanding Voltage : 250 VAC / 60S

Insulation Resistance : 500 MΩ Min.

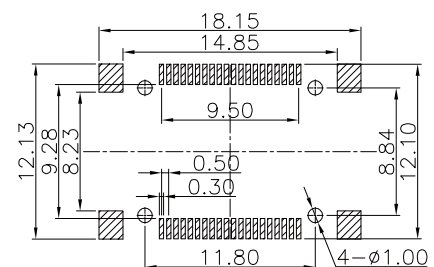
Operating Temperature : -40°C to +105°C



DIMENSIONAL DRAWINGS



Recommended P.C.Board
Layout
(Tolerance : ± 0.05)



Mates with

Serial No.	Mating Height	Page
CBAC229	7.2-9.4mm	5

Ordering Information

GBAC229 -

No. of Pins per Row

Standard Plating

: Gold Flash

B001 C

Color

Black

N

Standard Packing

Cap + Tape&Reel

0.50 mm CBAC229

SERIES

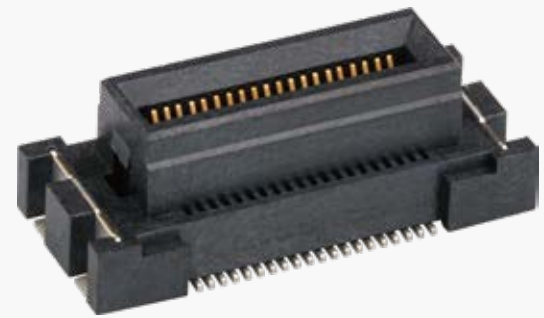
FIXED SIDE

S.M.T.

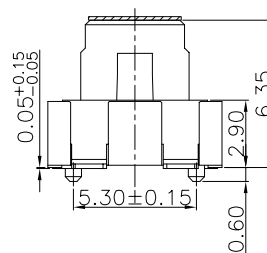
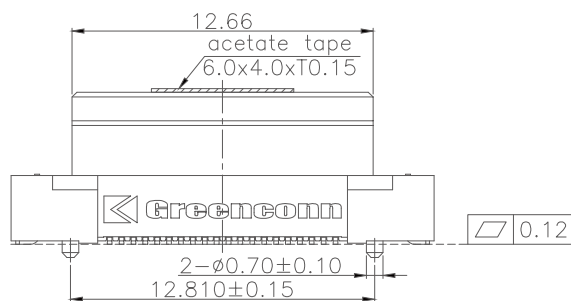
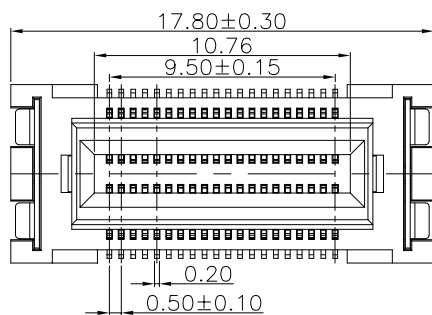


PRODUCT SPECIFICATIONS

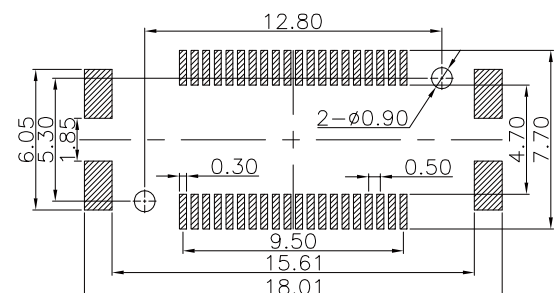
- Current Rating : 0.4 Amp / Pin
- Contact Resistance : 100 mΩ Max.
- Dielectric Withstanding Voltage : 250 VAC / 60S
- Insulation Resistance : 500 MΩ Min.
- Operating Temperature : -40°C to +105°C



DIMENSIONAL DRAWINGS



Recommended P.C.Board Layout
(Tolerance : ±0.05)



Mates with

Serial No.	Mating Height	Page
GBAC229	7.2-9.4mm	4

Ordering Information

CBAC229 -

No. of Pins per Row

Standard Plating

: 0.6u" Au / 80~160u" Matte Tin

: 5u" Au / 80~160u" Matte Tin

B001C

Color

Black

N

Standard Packing

Acetate Tape+Tape&Reel

0.50 mm GGAC201

SERIES

FLOATING SIDE

S.M.T.

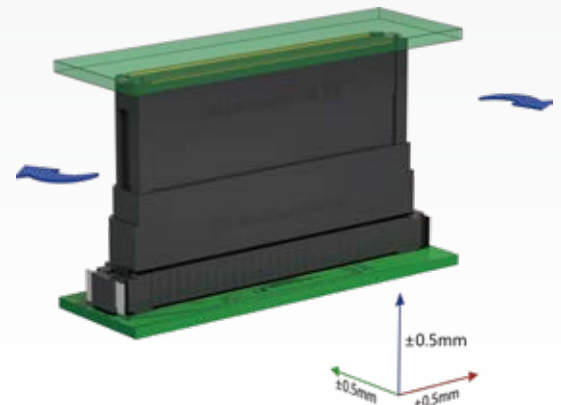
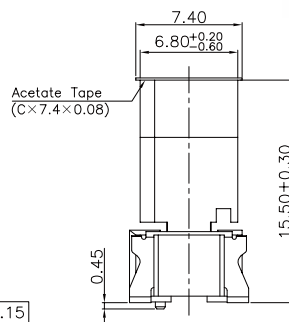
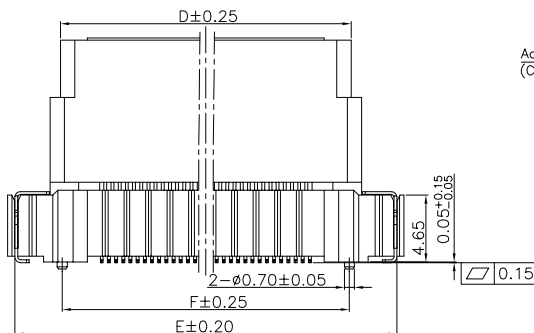
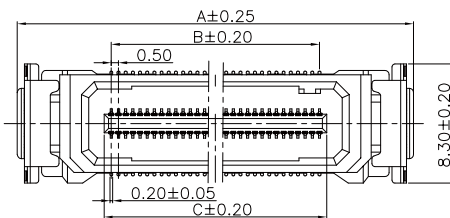


PRODUCT SPECIFICATIONS

Current Rating : 0.4 Amp / Pin
 Contact Resistance : 100 mΩ Max.
 Dielectric Withstanding Voltage : 250 VAC
 Insulation Resistance : 500 MΩ Min.
 Operating Temperature : -40°C to +105°C

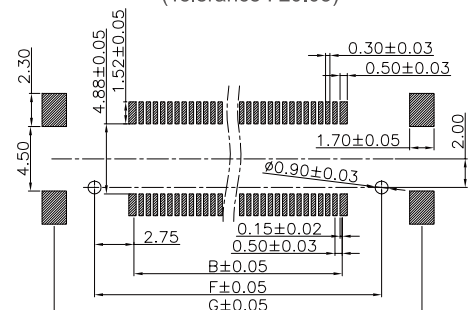


DIMENSIONAL DRAWINGS



PIN NO	A	B	C	D	E	F	G
2X20	22.60	9.50	10.50	15.25	21.60	15.00	20.60
2X30	27.60	14.50	15.50	20.25	26.60	20.00	25.60
2X40	32.60	19.50	20.50	25.25	31.60	25.00	30.60
2X50	37.60	24.50	25.50	30.25	36.60	30.00	35.60
2X60	42.60	29.50	30.50	35.25	41.60	35.00	40.60
2X70	47.60	34.50	35.50	40.25	46.60	40.00	45.60
2X80	52.60	39.50	40.50	45.25	51.60	45.00	50.60

Recommended P.C.Board
 Layout
 (Tolerance : ±0.05)



Mates with

Serial No.	Mating Height	Page
GGAC201-B001	29.5-31.0mm	7
GGAC201-B002	17.5-19.0mm	8
GGAC201-B003	24.5-26.0mm	9

Ordering Information

GGAC201 -

No. of Pins per Row

Standard Plating

: Gold Flash

B001 C 9

Color

Black

Standard Packing

Acetate Tape+Tape&Reel

0.50 mm
CGAC201

B001 SERIES

FIXED SIDE

S.M.T.

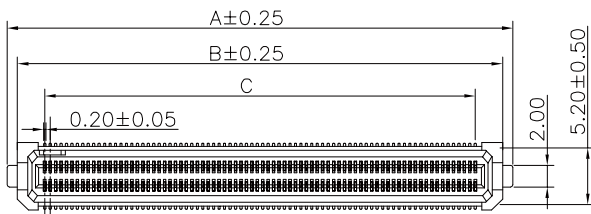


PRODUCT SPECIFICATIONS

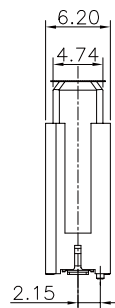
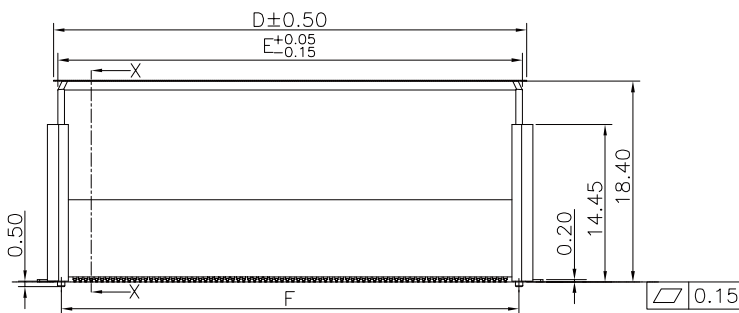
Current Rating : 0.4 Amp / Pin
 Contact Resistance : 100 mΩ Max.
 Dielectric Withstanding Voltage : 250 VAC
 Insulation Resistance : 500 MΩ Min.
 Operating Temperature : -40°C to +105°C



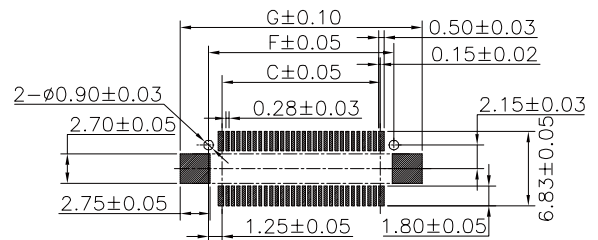
DIMENSIONAL DRAWINGS



80	46.40	44.50	39.50	43.40	42.60	42.00	47.20
70	41.40	39.50	34.50	38.40	37.60	37.00	42.20
60	36.40	34.50	29.50	33.40	32.60	32.00	37.20
50	31.40	29.50	24.50	28.40	27.60	27.00	32.20
40	26.40	24.50	19.50	23.40	22.60	22.00	27.20
30	21.40	19.50	14.50	18.40	17.60	17.00	22.20
20	16.40	14.50	9.50	13.40	12.60	12.00	17.20
No. of PIN/ROW	A	B	C	D	E	F	G
Dimension Information							



Recommended P.C.Board
 Layout
 (Tolerance : ±0.05)



Mates with

Serial No.	Mating Height	Page
GGAC201	29.5-31.0mm	6

Ordering Information

CGAC201 -

No. of Pins per Row

- 20 30 40 50 60
 70 80

Standard Plating

: Gold Flash

B001 C

Color

Black

9

Standard Packing

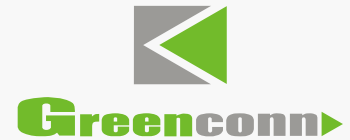
Acetate Tape+Tape&Reel

0.50 mm CGAC201

B002 SERIES

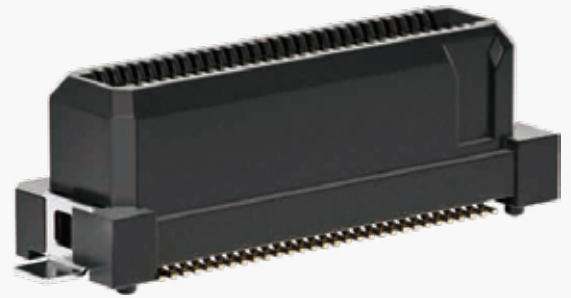
FIXED SIDE

S.M.T.

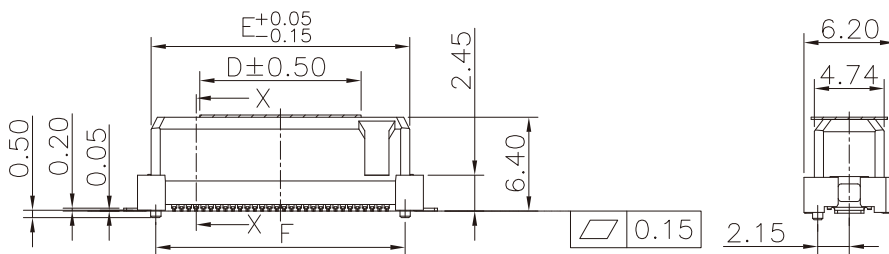
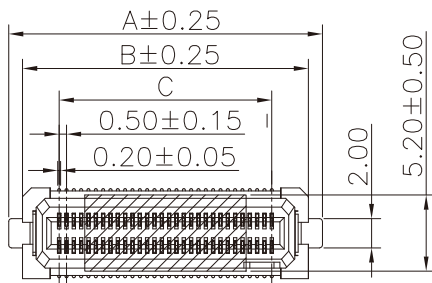


PRODUCT SPECIFICATIONS

Current Rating : 0.4 Amp / Pin
 Contact Resistance : 80 mΩ Max.
 Dielectric Withstanding Voltage : 250 VAC
 Insulation Resistance : 100 MΩ Min.
 Operating Temperature : -40°C to +105°C



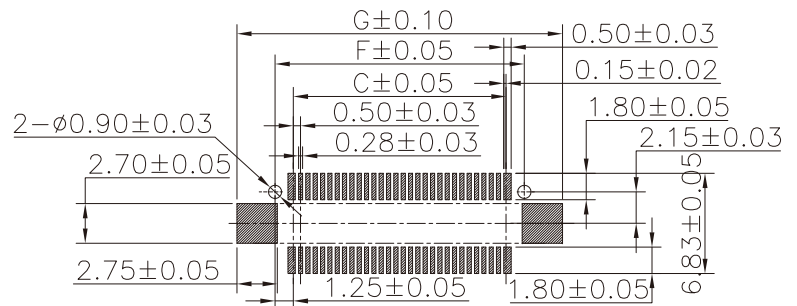
DIMENSIONAL DRAWINGS



80	46.40	44.50	39.50	28.50	42.60	42.00	47.20
70	41.40	39.50	34.50	28.50	37.60	37.00	42.20
60	36.40	34.50	29.50	28.50	32.60	32.00	37.20
50	31.40	29.50	24.50	28.50	27.60	27.00	32.20
40	26.40	24.50	19.50	11.00	22.60	22.00	27.20
30	21.40	19.50	14.50	11.00	17.60	17.00	22.20
20	16.40	14.50	9.50	11.00	12.60	12.00	17.20
15	13.90	12.00	7.00	11.00	10.10	9.50	14.70
No. of PIN/ROW	A	B	C	D	E	F	G

Dimension Information

Recommended P.C.Board Layout
 (Tolerance : ±0.05)



Mates with

Serial No.	Mating Height	Page
GGAC201	17.5-19.0mm	6

Ordering Information

CGAC201 - [XX]

No. of Pins per Row

[15] [20] [30] [40] [50]
 [60] [70] [80]

[XX]

Standard Plating

[02] : Gold Flash

Selective Plating

[06] : 6u" Au / Gold Flash

[09] : 3u" Au / Gold Flash

B002 C [1]

Color

Black

9 [H]

Standard Packing

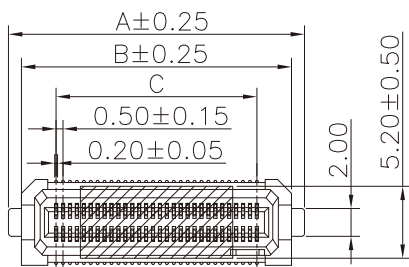
Acetate Tape+Tape&Reel

PRODUCT SPECIFICATIONS

Current Rating : 0.4 Amp / Pin
 Contact Resistance : 80 mΩ Max.
 Dielectric Withstanding Voltage : 250 VAC
 Insulation Resistance : 100 MΩ Min.
 Operating Temperature : -40°C to +105°C

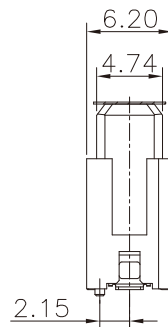
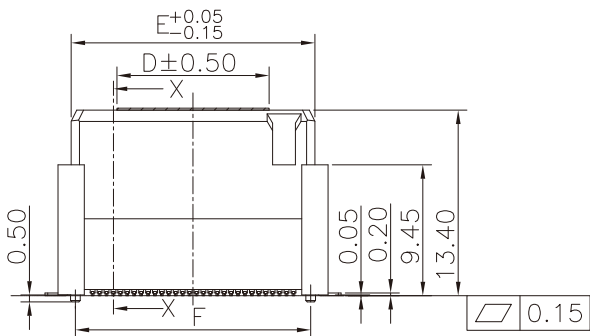


DIMENSIONAL DRAWINGS

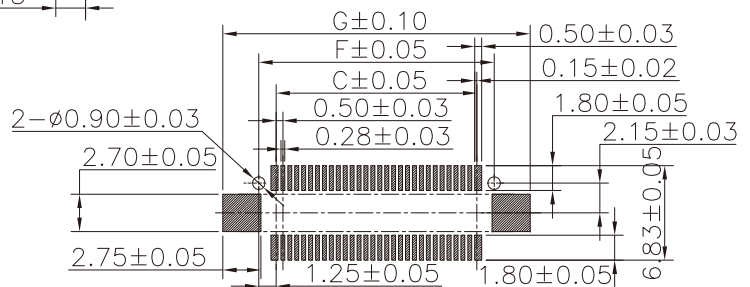


	80	46.40	44.50	39.50	28.50	42.60	42.00	47.20
	70	41.40	39.50	34.50	28.50	37.60	37.00	42.20
	60	36.40	34.50	29.50	28.50	32.60	32.00	37.20
	50	31.40	29.50	24.50	28.50	27.60	27.00	32.20
	40	26.40	24.50	19.50	11.00	22.60	22.00	27.20
	30	21.40	19.50	14.50	11.00	17.60	17.00	22.20
	20	16.40	14.50	9.50	11.00	12.60	12.00	17.20
	15	13.90	12.00	7.00	11.00	10.10	9.50	14.70
No. of PIN/ROW		A	B	C	D	E	F	G

Dimension Information



Recommended P.C.Board Layout
 (Tolerance : ±0.05)



Mates with : GGAC201 (M/H 24.5-26.0mm)

Mates with

Serial No.	Mating Height	Page
GGAC201	24.5-26.0mm	6

Ordering Information

CGAC201 - **XX**

No. of Pins per Row

- 15 20 30 40 50
60 70 80

XX

Standard Plating

02 : Gold Flash

Selective Plating

06 : 6u" Au / Gold Flash

09 : 3u" Au / Gold Flash

B003 C **1**

Color

Black

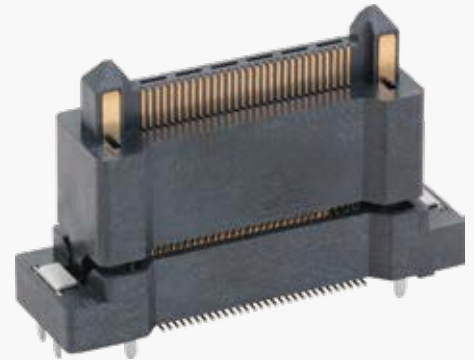
9 **H**

Standard Packing

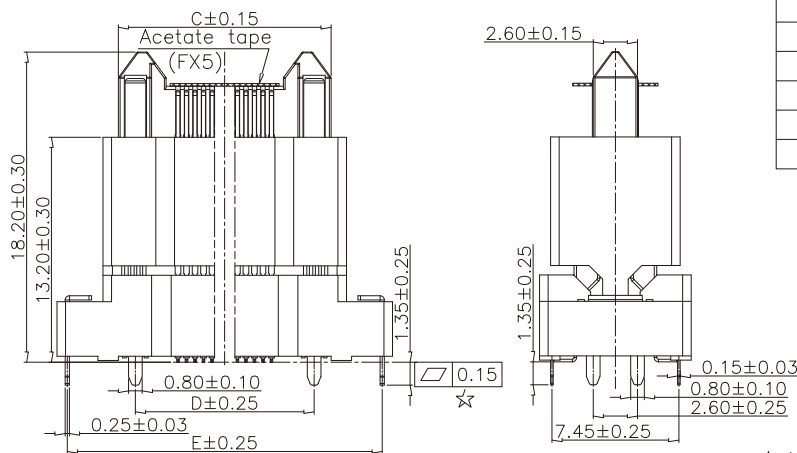
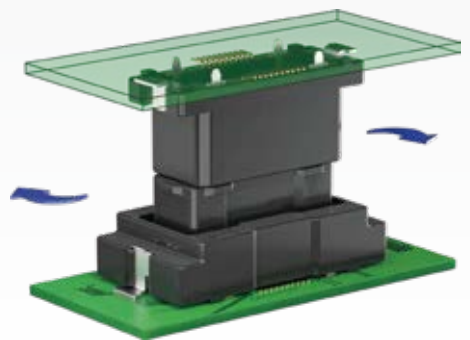
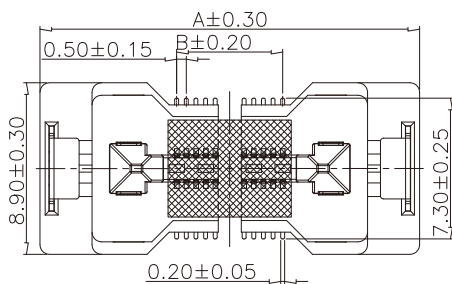
Acetate Tape+Tape&Reel

PRODUCT SPECIFICATIONS

Current Rating : Signal contact: 0.5Amp / pin
 Power contact: 3Amp / pin
 Contact Resistance : Signal part: 70 mΩ Max.
 Power part: 20 mΩ Max.
 Dielectric Withstanding Voltage : Signal part: 150VAC
 Power part: 600VAC
 Insulation Resistance : Signal part: 100 MΩ Min.
 Power part: 1000 MΩ Min.
 Operating Temperature : -55°C to +105°C

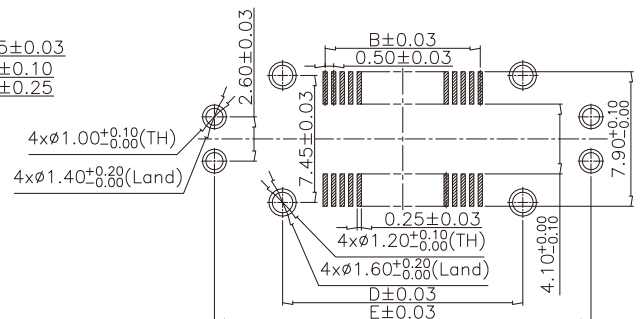


DIMENSIONAL DRAWINGS



No. of contacts	Dimension Information					
	A	B	C	D	E	F
2x10	18.70	4.50	11.50	9.50	17.50	5.0
2x20	23.70	9.50	16.50	14.50	22.50	10.0
2x30	28.70	14.50	21.50	19.50	27.50	10.0
2x40	33.70	19.50	26.50	24.50	32.50	10.0
2x50	38.70	24.50	31.50	29.50	37.50	10.0
2x60	43.70	29.50	36.50	34.50	42.50	10.0

Recommended P.C.Board Layout
(Tolerance : ±0.05)



Mates with

Serial No.	Mating Height	Page
CGAC203-A001	19.5-21.0mm	13
CGAC203-A002	18.0-20.0mm	14
CGAD201	21.4-22.3mm	15

Ordering Information

GGAC203 - **X X**

No. of Pins per Row

- 10
- 20
- 30
- 40
- 50
- 60

X X

Standard Plating

02 : Gold Flash

Selective Plating

09 : 3u" Au / Gold Flash

A001 X **1**

Color

Black

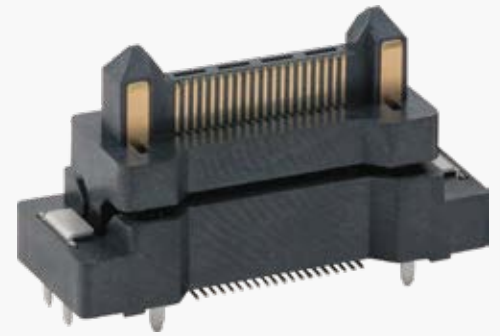
X **H**

Standard Packing

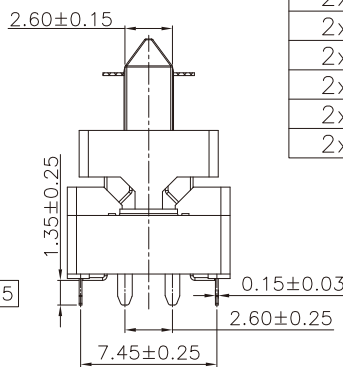
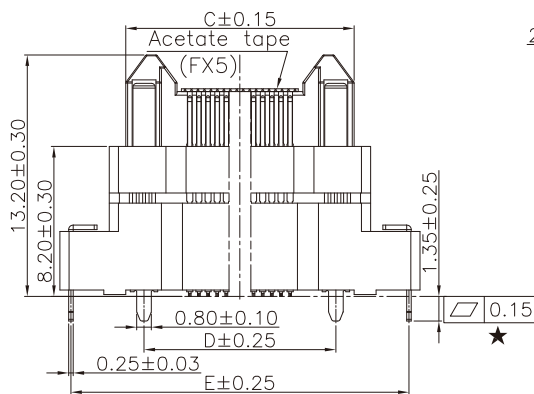
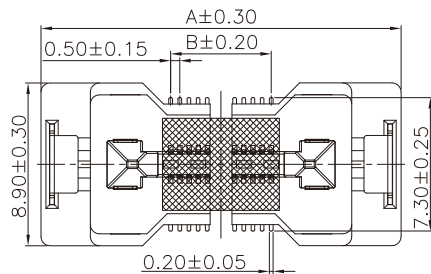
Acetate Tape+Tape&Reel

PRODUCT SPECIFICATIONS

Current Rating : Signal contact: 0.5Amp / pin
 Power contact: 3Amp / pin
 Contact Resistance : Signal part: 70 mΩ Max.
 Power part: 20 mΩ Max.
 Dielectric Withstanding Voltage : Signal part: 150VAC
 Power part: 600VAC
 Insulation Resistance : Signal part: 100 MΩ Min.
 Power part: 1000 MΩ Min.
 Operating Temperature : -55°C to +105°C

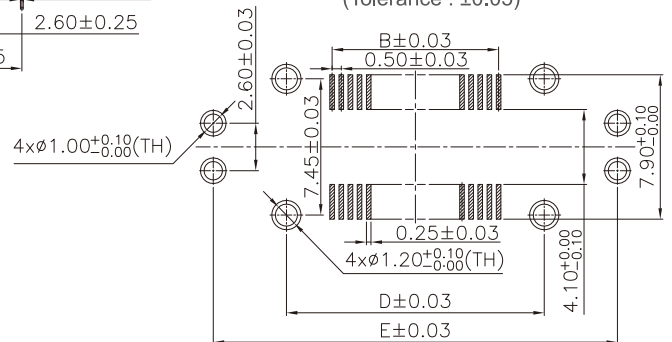


DIMENSIONAL DRAWINGS



No. of contacts	Dimension Information					
	A	B	C	D	E	F
2x10	18.70	4.50	11.50	9.50	17.50	5.0
2x20	23.70	9.50	16.50	14.50	22.50	10.0
2x30	28.70	14.50	21.50	19.50	27.50	10.0
2x40	33.70	19.50	26.50	24.50	32.50	10.0
2x50	38.70	24.50	31.50	29.50	37.50	10.0
2x60	43.70	29.50	36.50	34.50	42.50	10.0

Recommended P.C.Board Layout
(Tolerance : ±0.05)



Mates with

Serial No.	Mating Height	Page
CGAC203-A001	14.5-16.0mm	13
CGAC203-A002	13.0-15.0mm	14
CGAD201	16.3-17.2mm	15

Ordering Information

GGAC203 - **XX**

No. of Pins per Row

- 10 20 30 40 50 60

XX

Standard Plating

02 : Gold Flash

Selective Plating

09 : 3u" Au / Gold Flash

A002 X **1**

Color

Black

X **H**

Standard Packing

Acetate Tape+Tape&Reel

0.50 mm GGAC203

A003 SERIES

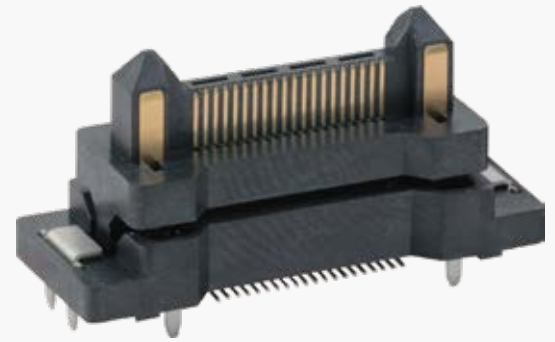
FIXED SIDE

S.M.T.

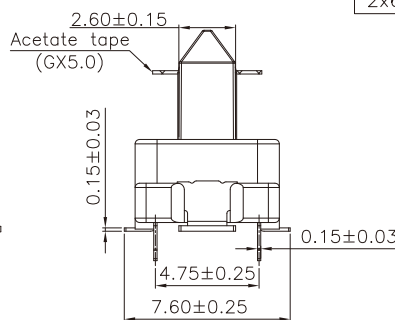
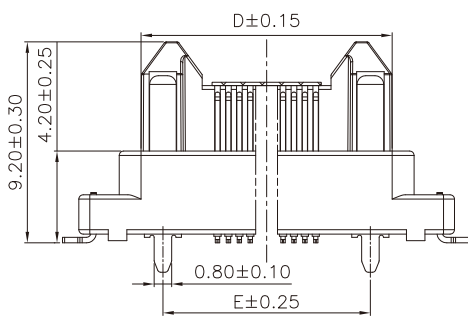
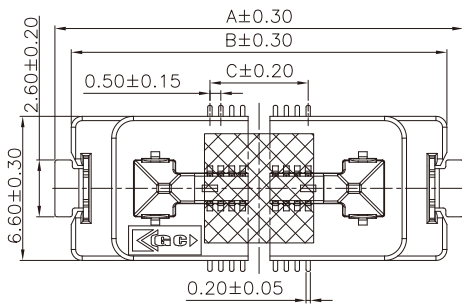


PRODUCT SPECIFICATIONS

Current Rating : Signal contact: 0.5Amp / pin
 Power contact: 3Amp / pin
 Contact Resistance : Signal part: 70 mΩ Max.
 Power part: 20 mΩ Max.
 Dielectric Withstanding Voltage : Signal part: 150VAC
 Power part: 600VAC
 Insulation Resistance : Signal part: 100 MΩ Min.
 Power part: 1000 MΩ Min.
 Operating Temperature : -55°C to +105°C

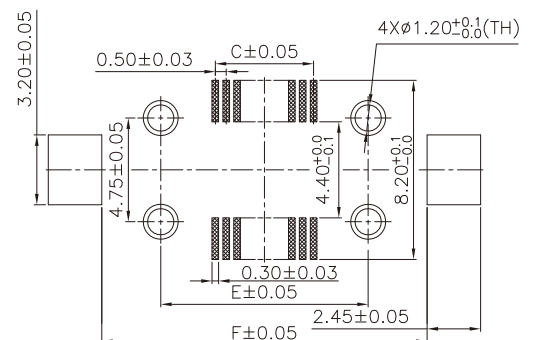


DIMENSIONAL DRAWINGS



No. of contacts	Dimension Information						
	A	B	C	D	E	F	G
2x10Pin	18.70	17.20	4.50	11.50	9.50	14.90	5.0
2x20Pin	23.70	22.20	9.50	16.50	14.50	19.90	10.0
2x30Pin	28.70	27.20	14.50	21.50	19.50	24.90	10.0
2x40Pin	33.70	32.20	19.50	26.50	24.50	29.90	10.0
2x50Pin	38.70	37.20	24.50	31.50	29.50	34.90	10.0
2x60Pin	43.70	42.20	29.50	36.50	34.50	39.90	10.0

Recommended P.C.Board Layout
(Tolerance : ±0.05)



Mates with

Serial No.	Mating Height	Page
CGAC203-A001	11.0-12.0mm	13
CGAC203-A002	9.5-11.0mm	14
CGAD201	12.1-13.1mm	15

Ordering Information

GGAC203 -

No. of Pins per Row

10 20 30 40 50
 60

Standard Plating

02 : Gold Flash

Selective Plating

09 : 3u" Au / Gold Flash

A003 X

Color

Black

X

Standard Packing

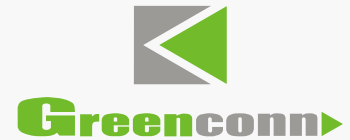
Acetate Tape+Tape&Reel

0.50 mm CGAC203

A001 SERIES

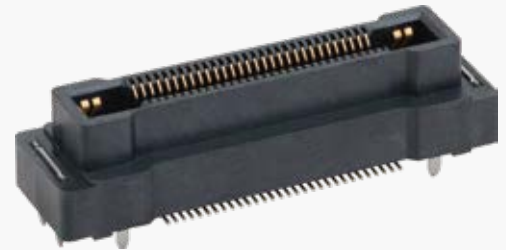
FIXED SIDE

S.M.T.

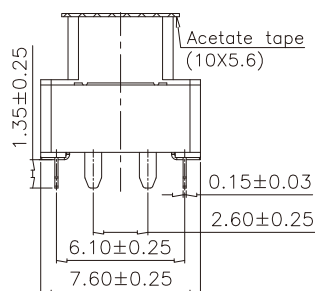
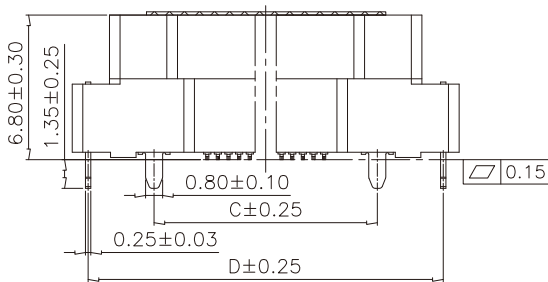
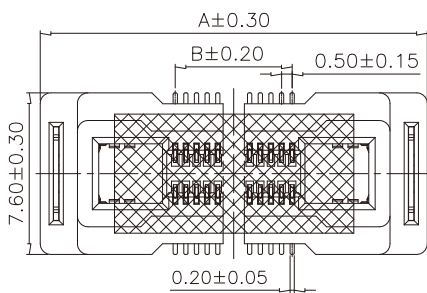


PRODUCT SPECIFICATIONS

Current Rating : Signal contact: 0.5Amp / pin
 Power contact: 3Amp / pin
 Contact Resistance : Signal part: 70 mΩ Max.
 Power part: 20 mΩ Max.
 Dielectric Withstanding Voltage : Signal part: 150VAC
 Power part: 600VAC
 Insulation Resistance : Signal part: 100 MΩ Min.
 Power part: 1000 MΩ Min.
 Operating Temperature : -55°C to +105°C

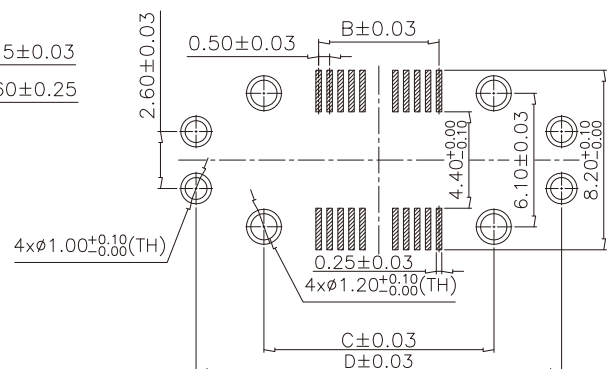


DIMENSIONAL DRAWINGS



No. of contacts	Dimension Information			
	A	B	C	D
2x10	17.20	4.50	9.50	15.70
2x20	22.20	9.50	14.50	20.70
2x30	27.20	14.50	19.50	25.70
2x40	32.20	19.50	24.50	30.70
2x50	37.20	24.50	29.50	35.70
2x60	42.20	29.50	34.50	40.70

Recommended P.C.Board Layout
 (Tolerance : ±0.05)



Mates with

Serial No.	Mating Height	Page
GGAC203-A001	19.5-21.0mm	10
GGAC203-A002	14.5-16.0mm	11
GGAC203-A003	11.0-12.0mm	12

Ordering Information

CGAC203 - **XX**

No. of Pins per Row

10 **20** **30** **40** **50**
60

XX

Standard Plating

02 : Gold Flash

Selective Plating

09 : 3u" Au / Gold Flash

A001 X **1**

Color

Black

X **H**

Standard Packing

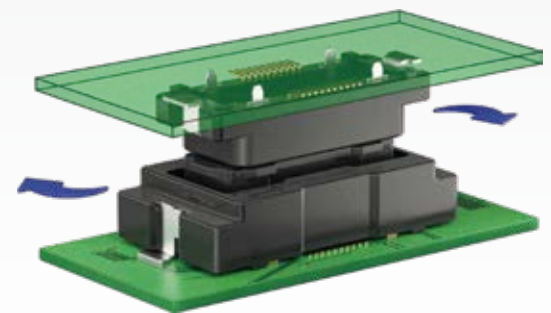
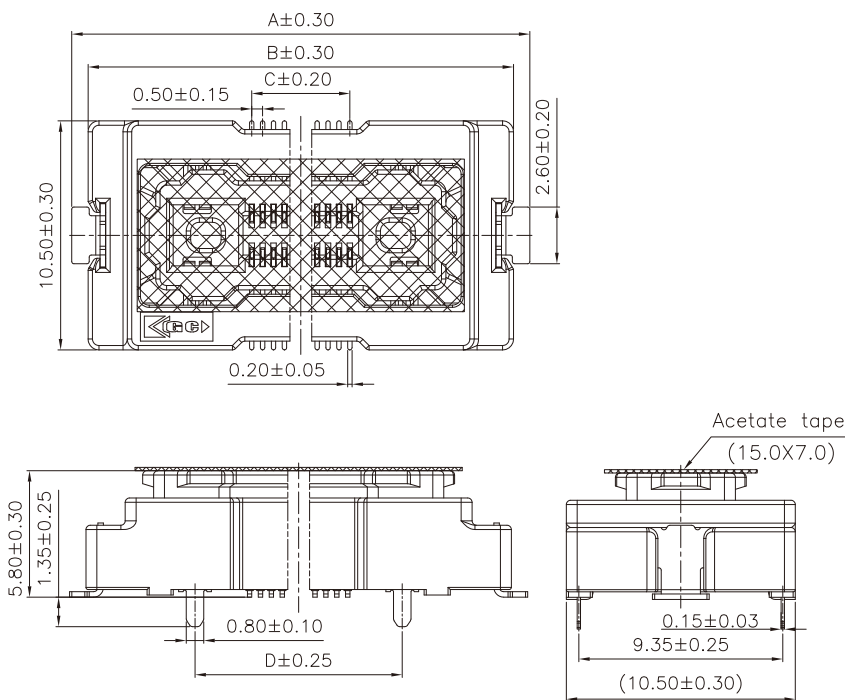
Acetate Tape+Tape&Reel

PRODUCT SPECIFICATIONS

Current Rating : Signal contact: 0.5Amp / pin
 Power contact: 3Amp / pin
 Contact Resistance : Signal part: 70 mΩ Max.
 Power part: 20 mΩ Max.
 Dielectric Withstanding Voltage : Signal part: 150VAC
 Power part: 600VAC
 Insulation Resistance : Signal part: 100 MΩ Min.
 Power part: 1000 MΩ Min.
 Operating Temperature : -55°C to +105°C



DIMENSIONAL DRAWINGS



No. of contacts	Dimension Information					
	A	B	C	D	E	F
2x10Pin	21.00	19.50	4.50	9.50	4.80	17.20
2x20Pin	26.00	24.50	9.50	14.50	9.80	22.20
2x30Pin	31.00	29.50	14.50	19.50	14.80	27.20
2x40Pin	36.00	34.50	19.50	24.50	19.80	32.20
2x50Pin	41.00	39.50	24.50	29.50	24.80	37.20
2x60Pin	46.00	44.50	29.50	34.50	29.80	42.20

Mates with

Serial No.	Mating Height	Page
GGAC203-A001	18.0-20.0mm	10
GGAC203-A002	13.0-15.0mm	11
GGAC203-A003	9.5-11.0mm	12

Ordering Information

CGAC203 -

No. of Pins per Row

10 20 30 40 50 60

Standard Plating

02 : Gold Flash

Selective Plating

09 : 3u" Au / Gold Flash

A002 C

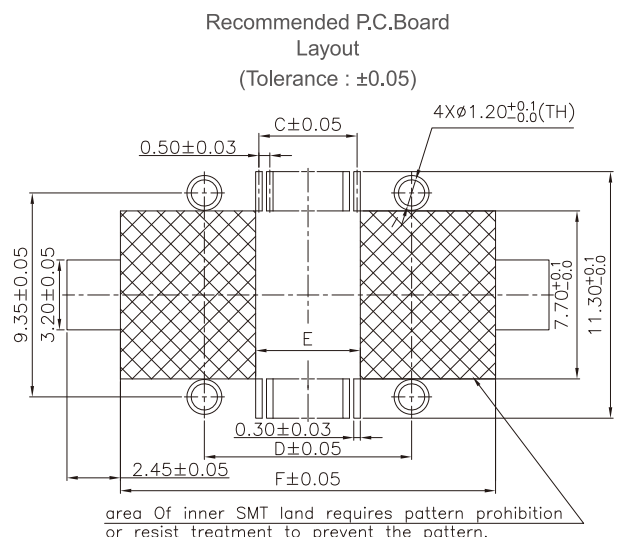
Color

Black

X

Standard Packing

Acetate Tape+Tape&Reel

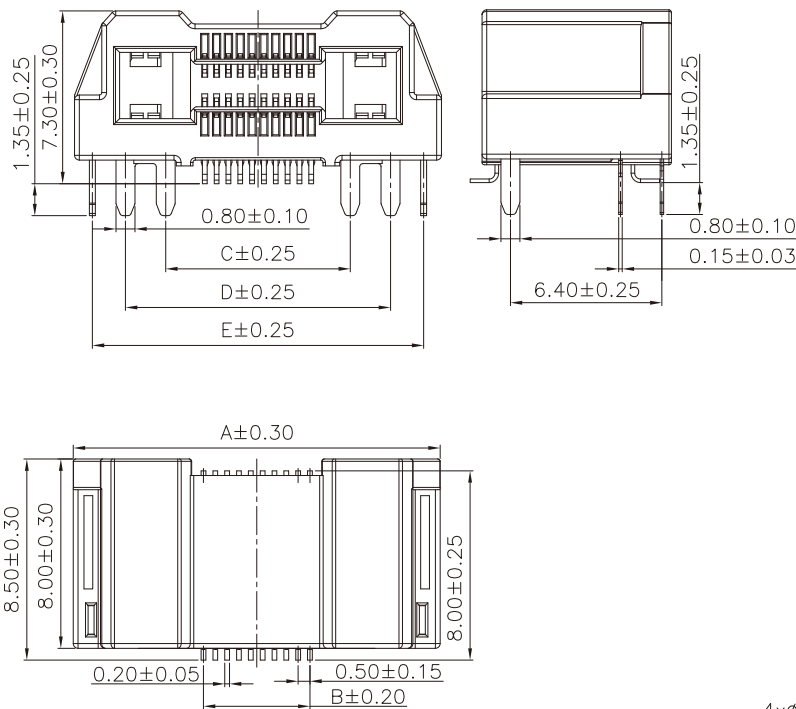


PRODUCT SPECIFICATIONS

Current Rating : Signal contact: 0.5Amp / pin
 Power contact: 3Amp / pin
 Contact Resistance : Signal part: 70 mΩ Max.
 Power part: 20 mΩ Max.
 Dielectric Withstanding Voltage : Signal part: 150VAC
 Power part: 600VAC
 Insulation Resistance : Signal part: 100 MΩ Min.
 Power part: 1000 MΩ Min.
 Operating Temperature : -55°C to +105°C

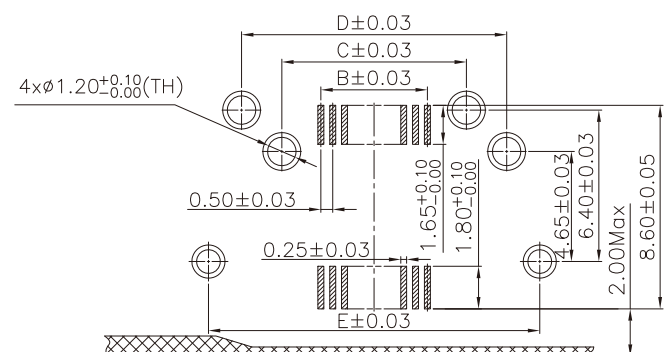


DIMENSIONAL DRAWINGS



No. of contacts	Dimension Information				
	A	B	C	D	E
2x10	15.50	4.50	7.80	11.20	14.00
2x20	20.50	9.50	12.80	16.20	19.00
2x30	25.50	14.50	17.80	21.20	24.00
2x40	30.50	19.50	22.80	26.20	29.00
2x50	35.50	24.50	27.80	31.20	34.00
2x60	40.50	29.50	32.80	36.20	39.00

Recommended P.C.Board Layout
 (Tolerance : ±0.05)



Mates with

Serial No.	Mating Height	Page
GGAC203-A001	21.4-22.3mm	10
GGAC203-A002	16.3-17.2mm	11
GGAC203-A003	12.1-13.1mm	12

Ordering Information

CGAD201 - **XX**

No. of Pins per Row

- 10 20 30 40 50 60

XX

Standard Plating

02 : Gold Flash

Selective Plating

09 : 3u" Au / Gold Flash

A001 X **1**

Color

Black

X **D**

Standard Packing

Tape&Reel

0.635 mm

GGZC201

SERIES

FLOATING SIDE

S.M.T.



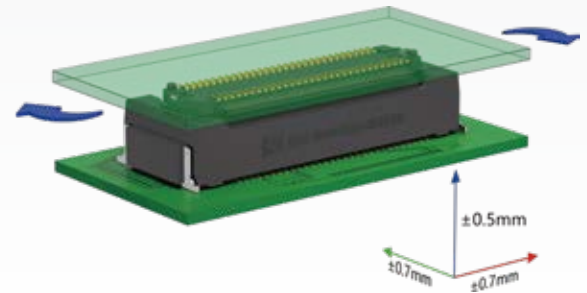
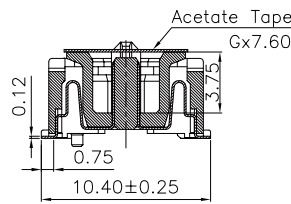
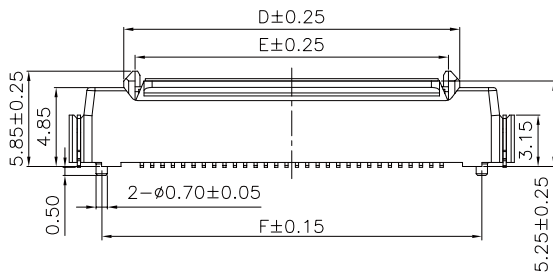
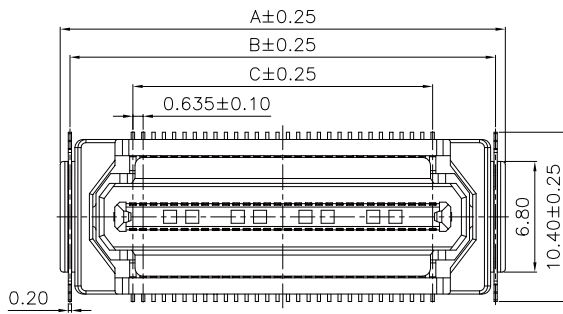
PRODUCT SPECIFICATIONS

- Current Rating : 0.5 Amp / Pin
- Contact Resistance : 100 mΩ Max.
- Dielectric Withstanding Voltage : 250 VAC
- Insulation Resistance : 500 MΩ Min.
- Operating Temperature : -40°C to +105°C



CGZC203 (M/H 14.5-16.0mm)

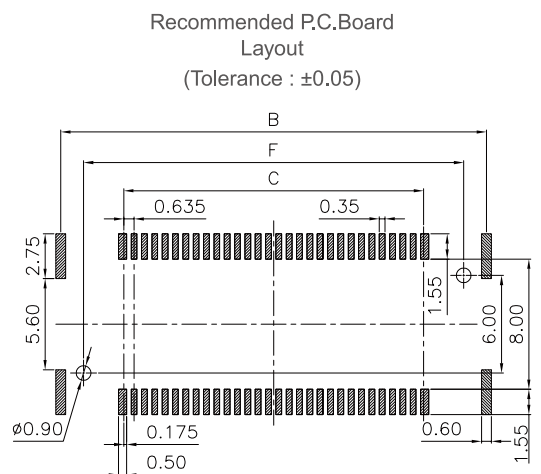
DIMENSIONAL DRAWINGS



No. of PIN/ROW	Dimension Information						
	A	B	C	D	E	F	G
2x30	27.35	26.15	18.415	20.65	19.25	23.35	18.00
2x40	33.70	32.50	24.765	27.00	25.60	29.70	24.35

Mates with

Serial No.	Mating Height	Page
CGZC201	5.8-7.3mm	17
CGZC202	9.5-11.0mm	18
CGZC203	14.5-16.0mm	19



Ordering Information

GGZC201 -

No. of Pins per Row

Standard Plating

- : Gold Flash
- : 3u" ~5u"Au / Gold Flash
- : 6u" ~8u"AU/1u"AU

B001 C

Color

Black

S

Standard Packing

Acetate Tape+Tape&Reel

0.635 mm CGZC201

SERIES

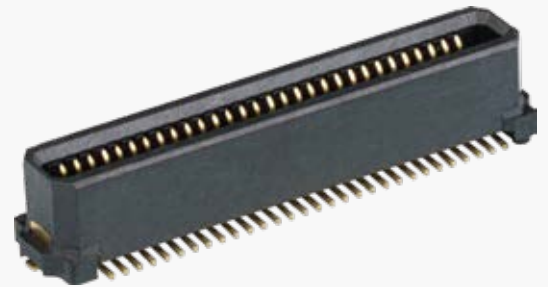
FIXED SIDE

S.M.T.

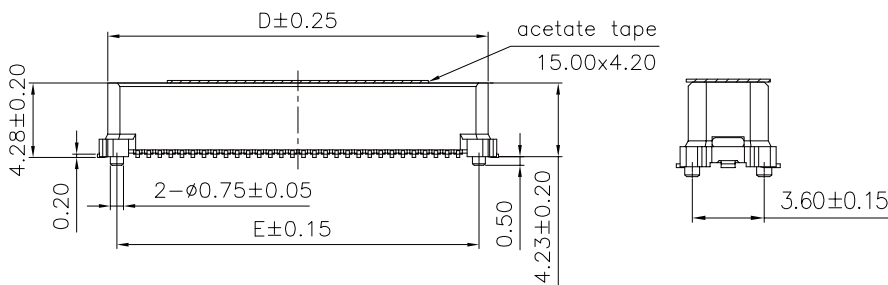
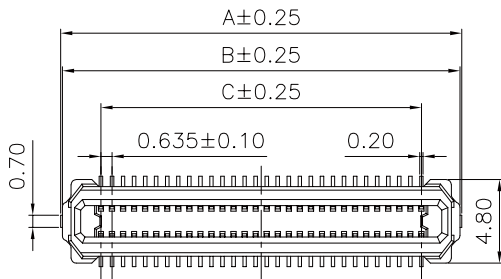


PRODUCT SPECIFICATIONS

Current Rating : 0.5 Amp / Pin
 Contact Resistance : 100 mΩ Max.
 Dielectric Withstanding Voltage : 250 VAC
 Insulation Resistance : 500 MΩ Min.
 Operating Temperature : -40°C to +105°C

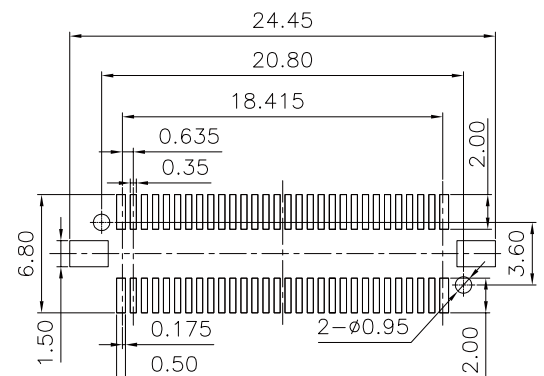


DIMENSIONAL DRAWINGS



No. of PIN/ROW	Dimension Information				
	A	B	C	D	E
2x30	23.05	22.85	18.42	21.85	20.80
2x40	29.40	29.20	24.77	28.20	27.15

Recommended P.C.Board Layout
(Tolerance : ±0.05)



Mates with

Serial No.	Mating Height	Page
GGZC201	5.8-7.3mm	16

Ordering Information

CGZC201 - XX

No. of Pins per Row

30 40

XX

Standard Plating

02 : Gold Flash

09 : 3u"Au / Gold Flash

B001 C 1

Color

Black

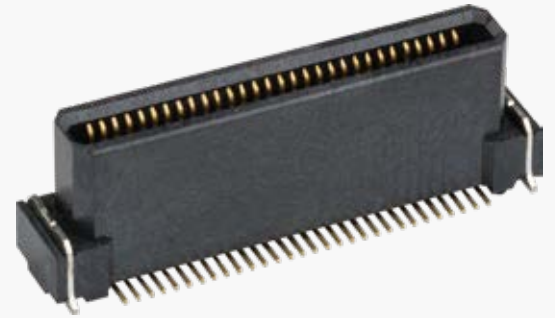
S H

Standard Packing

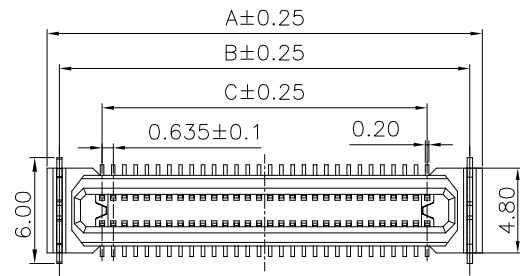
Acetate Tape+Tape&Reel

PRODUCT SPECIFICATIONS

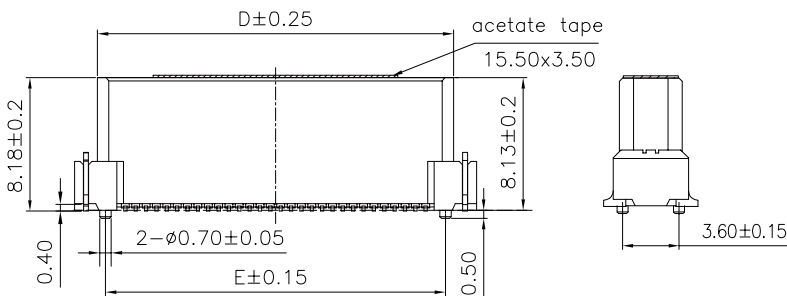
Current Rating : 0.5 Amp / Pin
 Contact Resistance : 100 mΩ Max.
 Dielectric Withstanding Voltage : 250 VAC
 Insulation Resistance : 500 MΩ Min.
 Operating Temperature : -40°C to +105°C



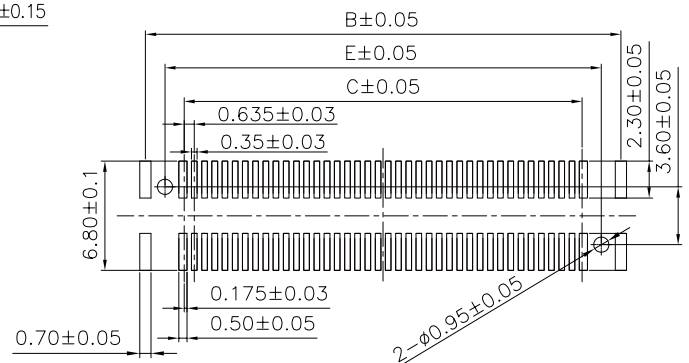
DIMENSIONAL DRAWINGS



No. of PIN/ROW	Dimension Information				
	A	B	C	D	E
2x30	24.65	23.25	18.42	21.85	20.80
2x40	31.00	29.60	24.77	28.20	27.15



Recommended P.C.Board Layout
 (Tolerance : ±0.05)



Mates with

Serial No.	Mating Height	Page
GGZC201	9.5-11.0mm	16

Ordering Information

CGZC202 -

No. of Pins per Row

Standard Plating

: Gold Flash

: Au plating

B001 C

Color

Black

A

Standard Packing

Acetate Tape+Tape&Reel

0.635 mm
CGZC203

SERIES

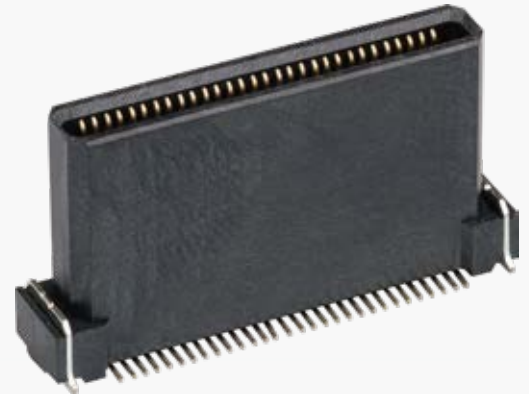
FIXED SIDE

S.M.T.

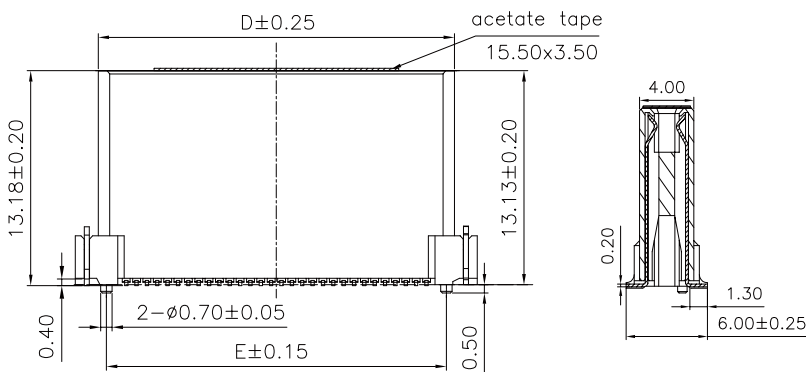
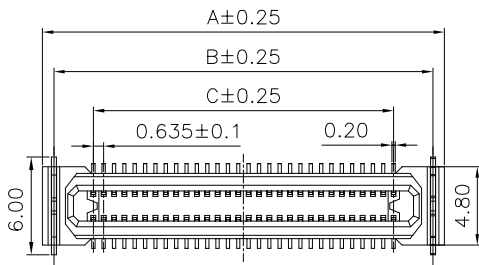


PRODUCT SPECIFICATIONS

Current Rating : 0.5 Amp / Pin
 Contact Resistance : 100 mΩ Max.
 Dielectric Withstanding Voltage : 250 VAC
 Insulation Resistance : 500 MΩ Min.
 Operating Temperature : -40°C to +105°C

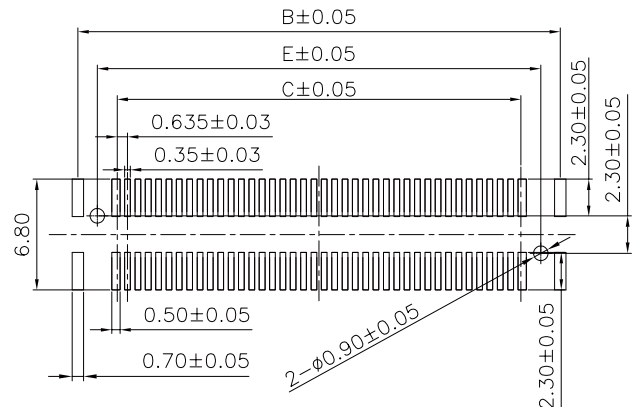


DIMENSIONAL DRAWINGS



No. of PIN/ROW	Dimension Information				
	A	B	C	D	E
2x30	24.65	23.25	18.42	21.85	20.85
2x40	31.00	29.60	24.77	28.20	27.20

Recommended P.C.Board Layout
(Tolerance : ±0.05)



Mates with

Serial No.	Mating Height	Page
GGZC201	14.5-16.0mm	16

Ordering Information

CGZC203 -

No. of Pins per Row

Standard Plating

: Gold Flash

: Au plating

B001 C

Color

Black

A

Standard Packing

Acetate Tape+Tape&Reel

0.80 mm GGBC201

SERIES

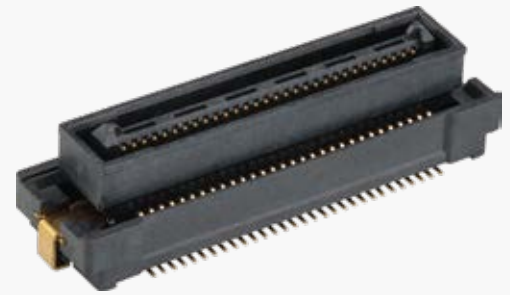
FLOATING SIDE

S.M.T.

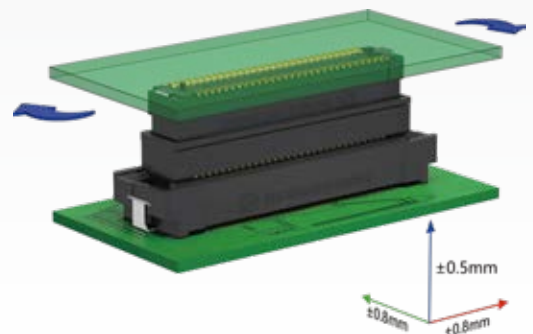
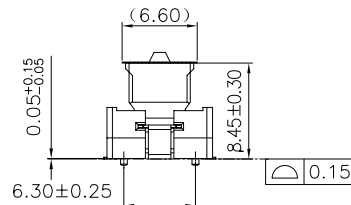
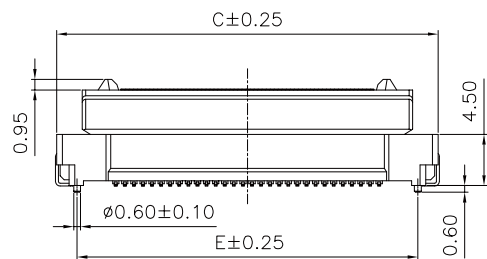
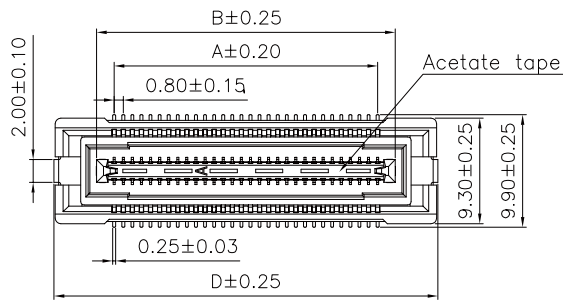


PRODUCT SPECIFICATIONS

Current Rating : 0.5 Amp / Pin
 Contact Resistance : 100 mΩ Max.
 Dielectric Withstanding Voltage : 250 VAC
 Insulation Resistance : 500 MΩ Min.
 Operating Temperature : -40°C to +105°C



DIMENSIONAL DRAWINGS

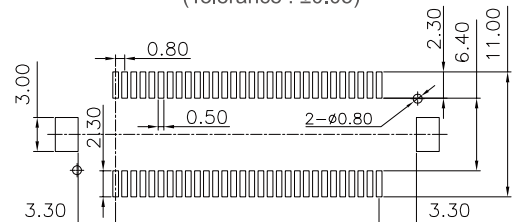


Pin NO.	A	B	C	D	E
2x30	23.20	26.30	33.60	33.80	30.00
2x40	31.20	34.30	41.60	41.80	38.00

Mates with

Serial No.	Mating Height	Page
CGBC201-B001	12.25-13.75mm	21
CGBC201-B003	11.25-12.75mm	22
CGBC203	24.2-25.7mm	24

Recommended P.C.Board
 Layout
 (Tolerance : ±0.05)



Ordering Information

GGBC201 -

No. of Pins per Row

Standard Plating

: Gold Flash

Selective Plating

: 3u" Au / Gold Flash

B001 C

Color

Black

N

Standard Packing

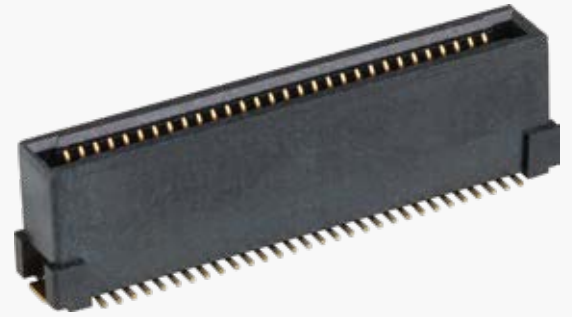
Acetate Tape+Tape&Reel

0.80 mm
CGBC201

B001 SERIES

FIXED SIDE

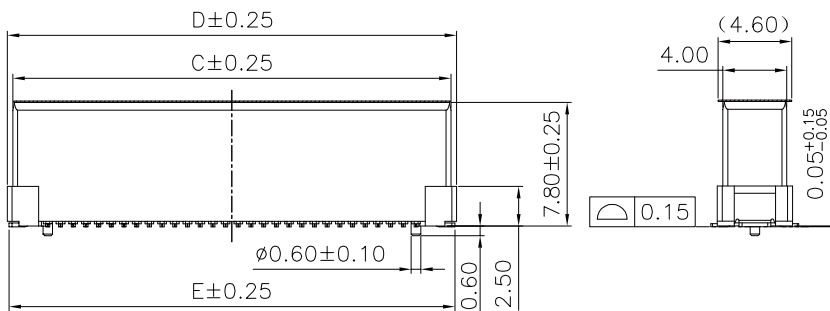
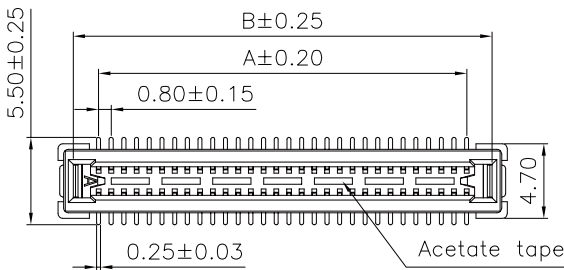
S.M.T.



PRODUCT SPECIFICATIONS

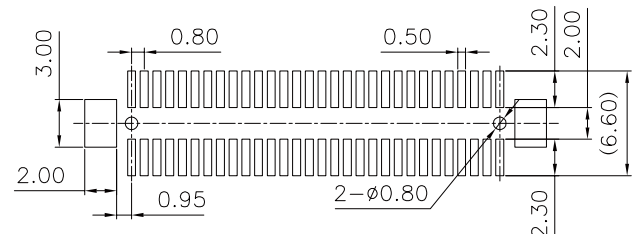
Current Rating : 0.5 Amp / Pin
 Contact Resistance : 100 mΩ Max.
 Dielectric Withstanding Voltage : 250 VAC
 Insulation Resistance : 500 MΩ Min.
 Operating Temperature : -40°C to +105°C

DIMENSIONAL DRAWINGS



No. of PIN/ROW	Dimension Information				
	A	B	C	D	E
2x30	23.20	26.40	27.60	28.30	28.10
2x40	31.20	34.40	35.60	36.30	36.10

Recommended P.C.Board Layout
 (Tolerance : ±0.05)



Mates with

Serial No.	Mating Height	Page
GGBC201	12.25-13.75mm	20
GGBC203	8.5-10.0mm	23

Ordering Information

CGBC201 - **XX**

No. of Pins per Row

30 40

XX

Standard Plating

02 : Gold Flash

Selective Plating

09 : 3u" Au / Gold Flash

B001 C **1**

Color

Black

N **H**

Standard Packing

Acetate Tape+Tape&Reel

0.80 mm
CGBC201

B003 SERIES

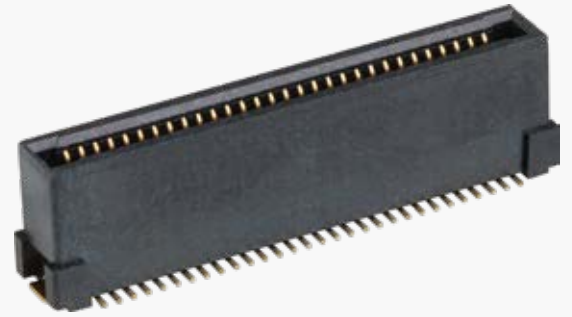
FIXED SIDE

S.M.T.

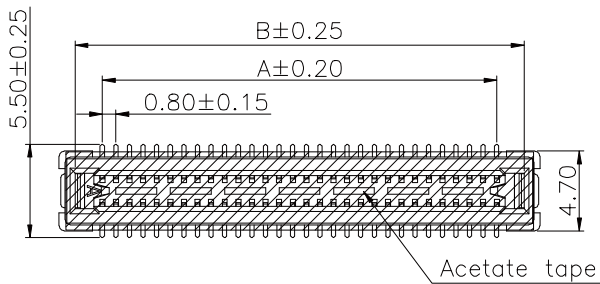


PRODUCT SPECIFICATIONS

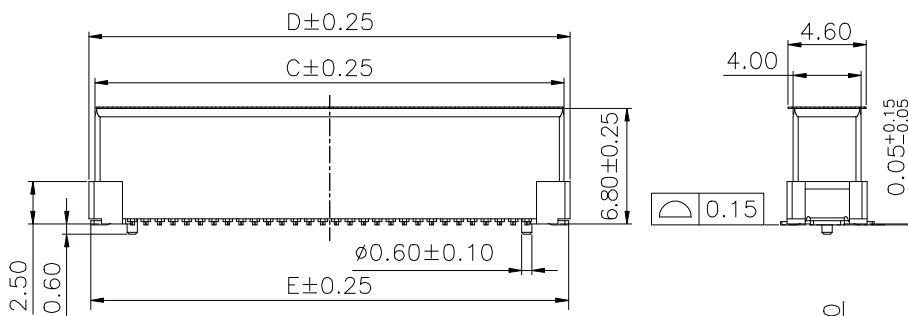
Current Rating : 0.5 Amp / Pin
 Contact Resistance : 100 mΩ Max.
 Dielectric Withstanding Voltage : 250 VAC
 Insulation Resistance : 500 MΩ Min.
 Operating Temperature : -40°C to +105°C



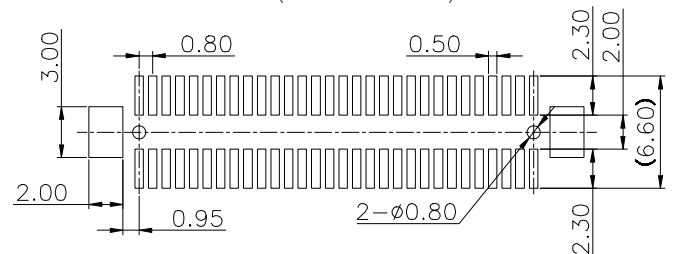
DIMENSIONAL DRAWINGS



Pin NO.	A	B	C	D	E
2x30	23.20	26.40	27.60	28.30	28.10
2x40	31.20	34.40	35.60	36.30	36.10



Recommended P.C.Board Layout
(Tolerance : ±0.05)



Mates with

Serial No.	Mating Height	Page
GGBC201	11.25-12.75mm	20
GGBC203	7.5-9.0mm	23

Ordering Information

CGBC201 -

No. of Pins per Row

Standard Plating

: Gold Flash

Selective Plating

: 3u" Au / Gold Flash

B001 C

Color

Black

N

Standard Packing

Acetate Tape+Tape&Reel

0.80 mm GGBC203

SERIES

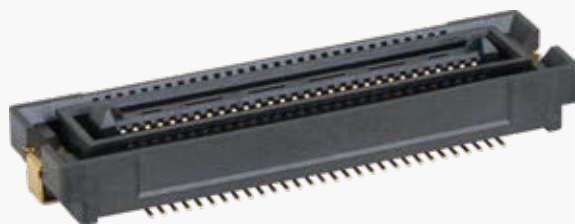
FLOATING SIDE

S.M.T.

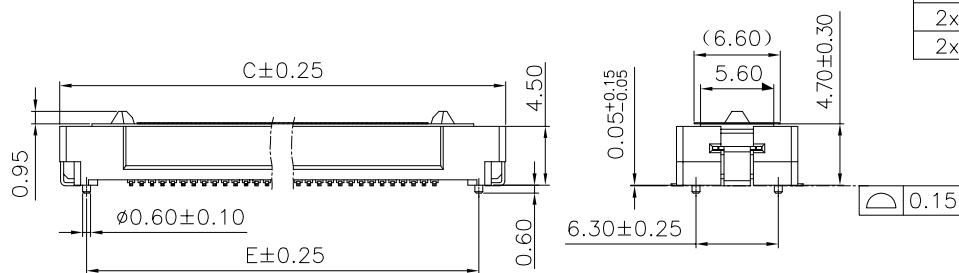
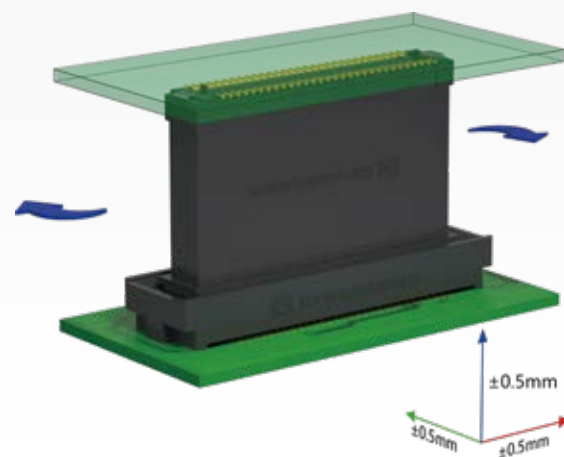
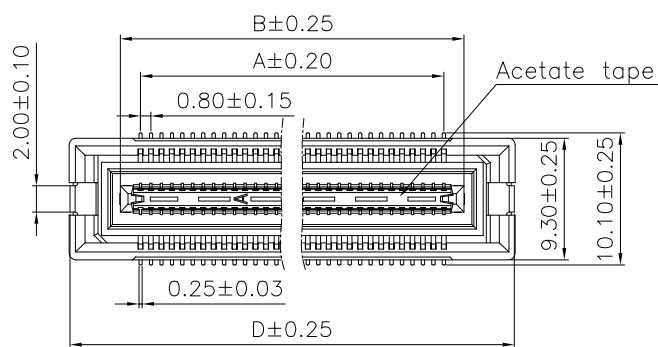


PRODUCT SPECIFICATIONS

Current Rating : 0.5 Amp / Pin
 Contact Resistance : 100 mΩ Max.
 Dielectric Withstanding Voltage : 250 VAC
 Insulation Resistance : 500 MΩ Min.
 Operating Temperature : -40°C to +105°C

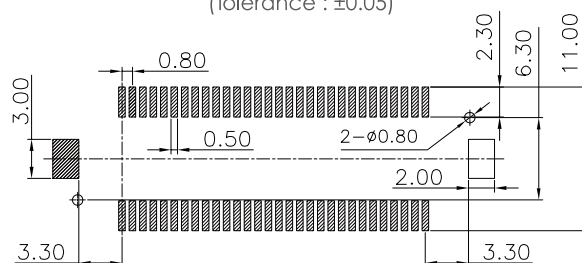


DIMENSIONAL DRAWINGS



Pin NO.	A	B	C	D	E
2x30	23.20	26.30	34.10	34.00	30.00
2x40	31.20	34.30	42.10	42.00	38.00
2x50	39.20	42.30	50.10	50.00	46.00

Recommended P.C.Board
 Layout
 (Tolerance : ± 0.05)



Mates with

Serial No.	Mating Height	Page
CGBC201-B001	8.5-10.0mm	21
CGBC201-B003	7.5-9.0mm	22
CGBC203	20.45-21.9mm	24

Ordering Information

GGBC203-

No. of Pins per Row

Standard Plating

: Gold Flash

Selective Plating

: 3u" Au / Gold Flash

B001 C

Color

Black

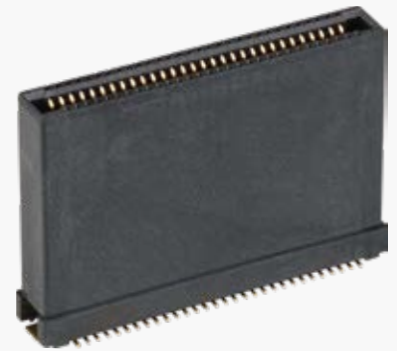
A

Standard Packing

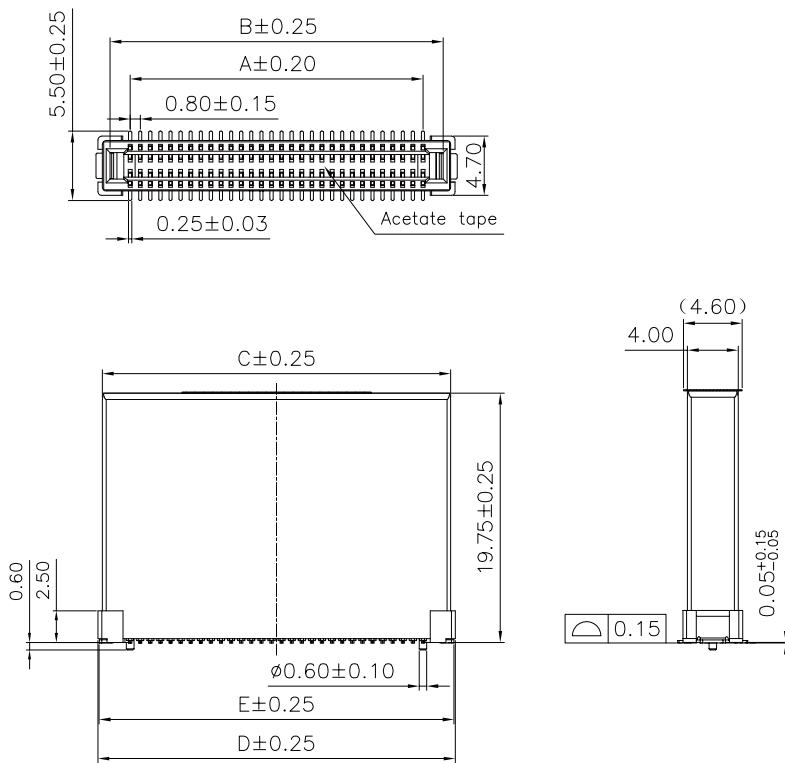
Acetate Tape+Tape&Reel

PRODUCT SPECIFICATIONS

Current Rating : 0.5 Amp / Pin
 Contact Resistance : 100 mΩ Max.
 Dielectric Withstanding Voltage : 250 VAC
 Insulation Resistance : 500 MΩ Min.
 Operating Temperature : -40°C to +105°C

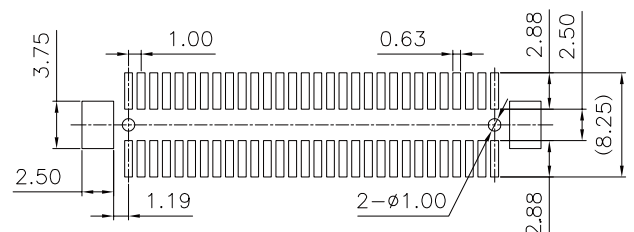


DIMENSIONAL DRAWINGS



Pin NO.	A	B	C	D	E
2x30	23.20	26.40	27.60	28.30	28.10
2x40	31.20	34.40	35.60	36.30	36.10
2x50	39.20	42.40	43.60	44.30	44.10

Recommended P.C.Board
 Layout
 (Tolerance : ± 0.05)



Mates with

Serial No.	Mating Height	Page
GGBC201	24.2-25.7mm	20
GGBC203	20.45-21.95mm	23

Ordering Information

CGBC203 -

No. of Pins per Row

Standard Plating

: Gold Flash

Selective Plating

: 3u" Au / Gold Flash

B001 C

Color

Black

N

Standard Packing

Acetate Tape+Tape&Reel

| Selection




PITCH 0.50 mm

FLOATING SIDE SMT	FIXED SIDE SMT	HEIGHT RANGE (mm)	FLOATING TOLERANCE	
GBAC229  p.4	CBAC229  p.5	7.2-9.4mm	X-axis±0.5mm Y-axis±0.5mm	
GGAC201  p.6	CGAC201-B001  p.7	29.5-31.0mm		
	CGAC201-B002  p.8	17.5-19.0mm		
	CGAC201-B003  p.9	24.5-26.0mm		
GGAC203-A001  p.10	CGAC203-A001  p.13	19.5-21.0mm		X-axis±0.6mm Y-axis±0.6mm
	CGAD201  p.15	21.4-22.3mm		
GGAC203-A002  p.11	CGAC203-A001  p.13	14.5-16.0mm	X-axis±0.6mm Y-axis±0.6mm	
	CGAD201  p.15	16.3-17.2mm		
CGAC203-A002  p.14	GGAC203-A003  p.12	9.5-11.0mm	X-axis±0.6mm Y-axis±0.6mm	



| Selection

PITCH 0.50 mm

FLOATING SIDE SMT	FLOATING SIDE SMT	HEIGHT RANGE (mm)	FLOATING TOLERANCE
 <p>p.14</p>	GGAC203-A001  <p>p.10</p>	18.0-20.0mm	X-axis±1.2mm Y-axis±1.2mm
	GGAC203-A002  <p>p.11</p>	13.0-15.0mm	X-axis±1.2mm Y-axis±1.2mm
FIXED SIDE SMT	FIXED SIDE SMT	HEIGHT RANGE (mm)	
 <p>p.12</p>	CGAC203-A001  <p>p.13</p>	11.0-12.0mm	
	CGAD201  <p>p.15</p>	12.1-13.0mm	



PITCH 0.635 mm

FLOATING SIDE SMT	FIXED SIDE SMT	HEIGHT RANGE (mm)	FLOATING TOLERANCE
 <p>p.16</p>	CGZC201  <p>p.17</p>	5.8-7.3mm	X-axis±0.7mm Y-axis±0.7mm
	CGZC202  <p>p.18</p>	9.5-11.0mm	
	CGZC203  <p>p.19</p>	14.5-16.0mm	



| Selection

PITCH 0.80 mm

FLOATING SIDE SMT	FIXED SIDE SMT	HEIGHT ABILITY (mm)	FLOATING TOLERANCE
 <p>GGBC201</p> <p>p.20</p>	 <p>CGBC201-B001</p> <p>p.21</p>	12.25-13.75mm	X-axis±0.8mm Y-axis±0.8mm
	 <p>CGBC201-B003</p> <p>p.22</p>	11.25-12.75mm	
	 <p>CGBC203</p> <p>p.24</p>	24.20-25.70mm	
 <p>GGBC203</p> <p>p.23</p>	 <p>CGBC201-B001</p> <p>p.21</p>	8.50-10.00mm	X-axis±0.5mm Y-axis±0.5mm
	 <p>CGBC201-B003</p> <p>p.22</p>	7.50-9.00mm	
	 <p>CGBC203</p> <p>p.24</p>	20.45-21.95mm	



■ **Factory**

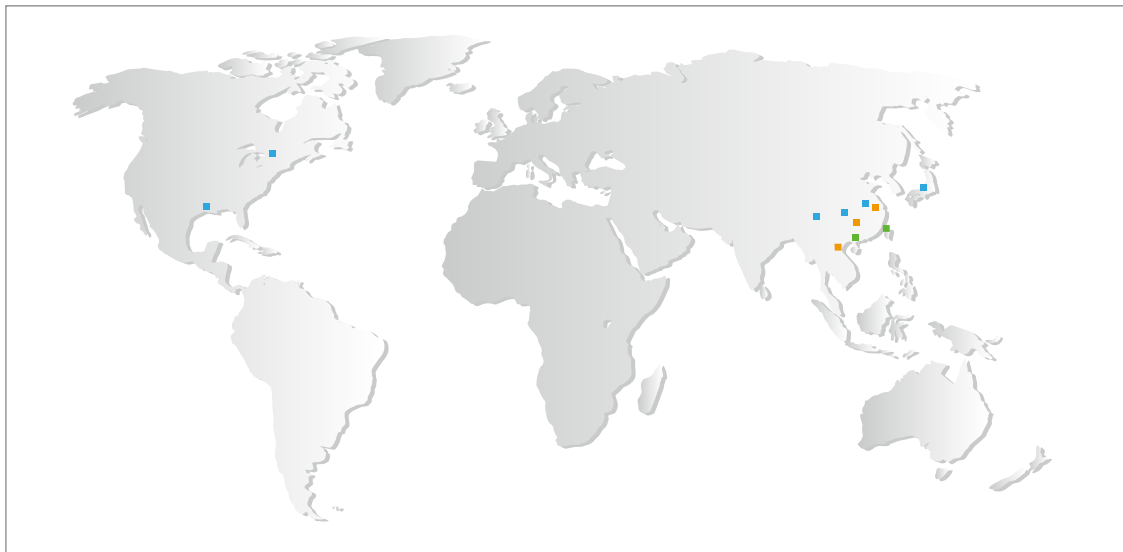
Ha Noi · Vietnam
Ganzhou · China
Kunshan · China

■ **Sales & Service**

Shenzhen · China
Kunshan · China
New Taipei City · Taiwan

■ **Direct Sales Office**

Houston · USA
Toronto · Canada
Chongqing · China
Wuhan · China
Nanjing · China
Osaka · Japan



America

Toronto/Canada
GREENCONN TECHNOLOGY Ltd.
☎ +1 - 704 493 1478

Asia

Ganzhou/China
GREENCONN TECHNOLOGY (Ganzhou) LTD.
☎ +86 - 797 6635 510
☎ +86 - 797 6635 653

Kunshan/China
Kunshan Greenconn Technology Co., Ltd.
☎ +86 - 512 5782 5636
☎ +86 - 512 5031 6595

Shenzhen/China
Greenconn Technology (shenzhen) Co., Ltd.
☎ +86 - 755 2707 0050 / 1
☎ +86 - 755 2707 0056

New Taipei/Taiwan
Greenconn Corporation
☎ +886 - 2 2209 1343
☎ +886 - 2 2903 0754

Osaka/Japan
Greenconn Japan Co., Ltd.
☎ +81 - 6 6614 9711

VER. 202307



www.greenconn.com
sales@greenconn.com

